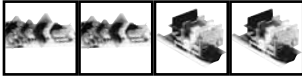


CONTENTS



TERMINAL BLOCKS

SECTION 7

SECTION 7	TERMINAL BLOCKS57
	STANDARD RANGE RAIL MOUNTED	
	TERMINAL BLOCKS58
	STANDARD RANGE RAIL MOUNTED	
	TERMINAL BLOCKS59
	STUD TYPE RAIL MOUNTED	
	TERMINAL BLOCKS60
	FIXED SCREW TERMINAL	
	BLOCKS & ACCESSORIES61
	QUICK CONNECT TERMINAL BLOCKS62
	TERMINAL CONFIGURATIONS	
	& ORDERING GUIDE62

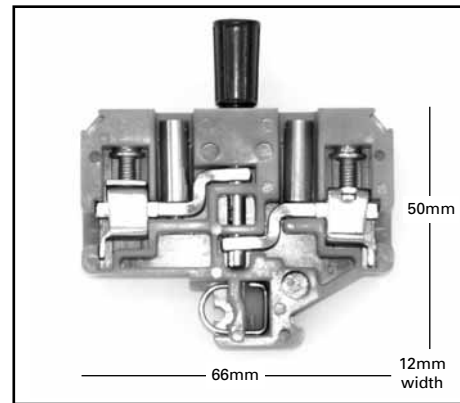
CATALOGUE INDEX

INDEX






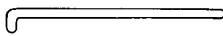


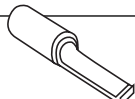
STANDARD RANGE RAIL MOUNTED TERMINAL BLOCKS

- Manufactured in melamine • Standard colour orange
- Higher current ratings may be obtained at lower ambients

	CAT. NO.	RATED AT 600V AC	CONDUCTOR SIZE mm ²
	H2608	25 amps	0.5-10

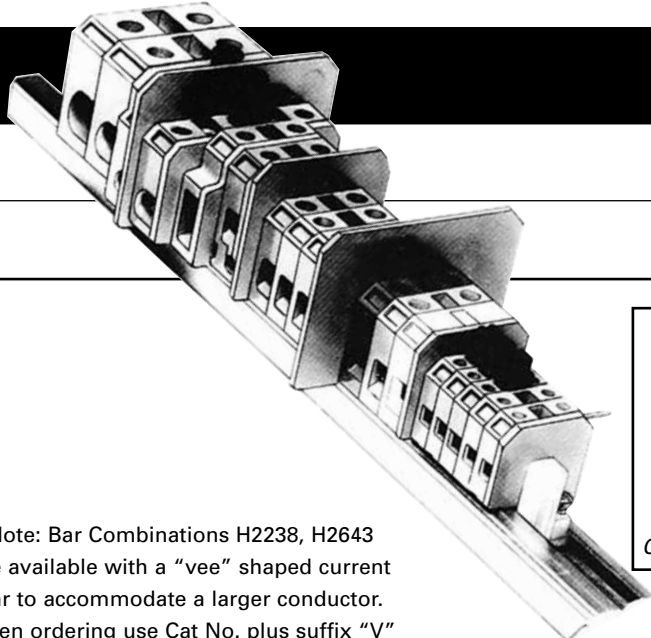


CATALOGUE NO. H2608 Metering Block

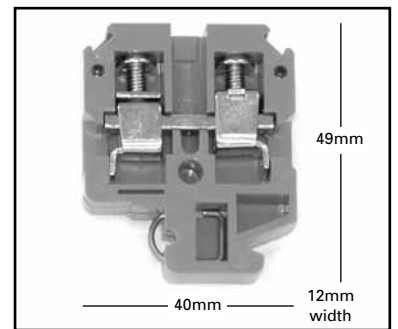
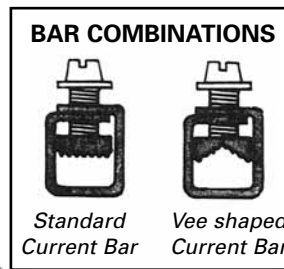
ACCESSORIES		CAT. NO.
Standard End Plate (melamine)		H2609
Partition		H3865
End Clamp (Nylon)		H2232
460mm Mounting Rail		H2233
1 metre Mounting Rail		H2233A
1 metre Locking Pin		H2234A
*Bridging Link		H2633
Disconnect Plug		H2650
Lip Blade Terminal		H4207, H4208, H4209

STANDARD RANGE RAIL MOUNTED TERMINAL BLOCKS

• Manufactured in melamine • Standard colour orange • Higher current ratings may be obtained at lower ambients


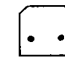

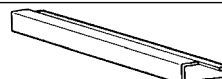
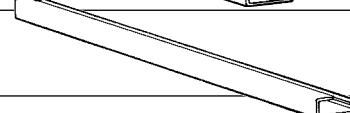
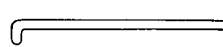


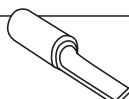


CAT. NO.	RATED AT 600V AC	CONDUCTOR SIZE mm ²
H2238	48 amps	0.5-10
H2238V	65amps	2.5-12



Note: Bar Combinations H2238, H2643 are available with a "vee" shaped current bar to accommodate a larger conductor. When ordering use Cat No. plus suffix "V" eg. H2238V, H2643V

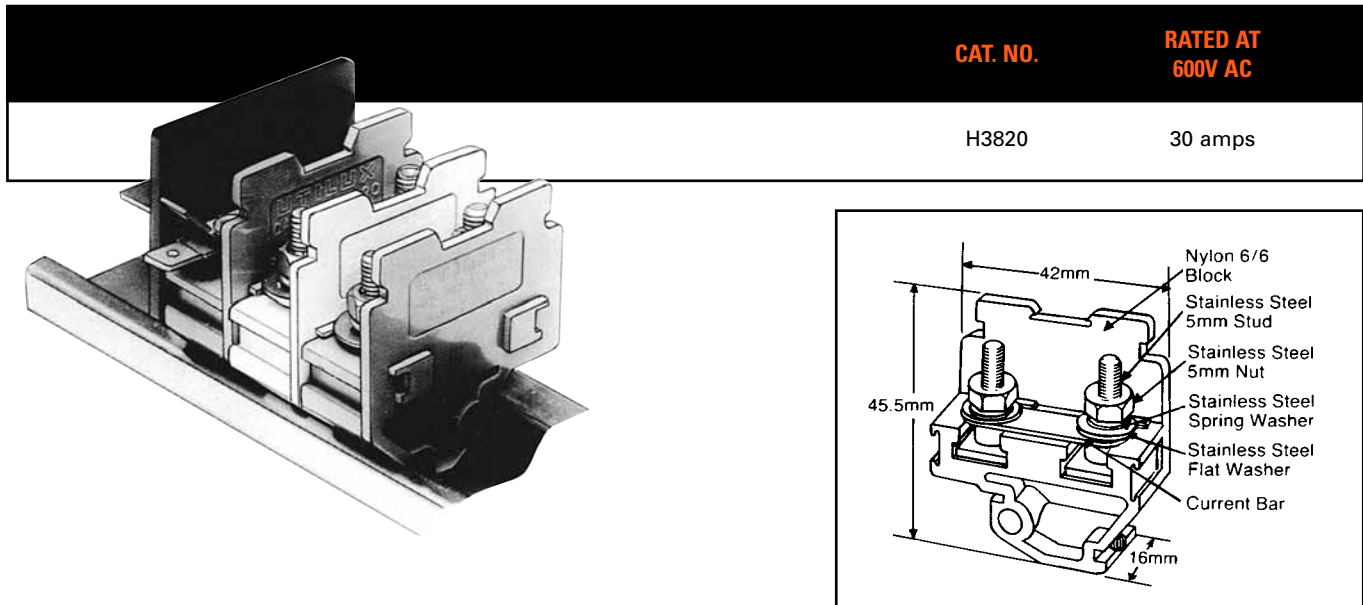
CATALOGUE NO. H2238, H2238V Vee shaped current bar

ACCESSORIES		CAT. NO.
Standard End Plate (melamine)		H2239
Partition		H3863
End Clamp (Nylon)		H2232
460mm Mounting Rail		H2233
1 metre Mounting Rail		H2233A
1 metre Locking Pin		H2234A
Link support and screw		H2236M
Bridging Link		H2631
Lip Blade Terminal		H4207, H4208, H4209



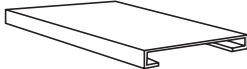

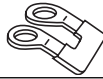
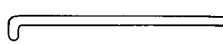



7

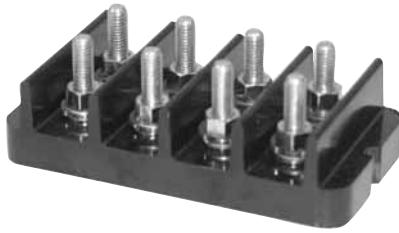
STUD TYPE RAIL MOUNTED TERMINAL BLOCKS

• A more permanent connection free from loose connections caused by vibration • Being a fixed stud, eye or slotted terminals can be used on wiring to ensure a more positive connection • Voltage – 500V max. conductor 7/1.70mm copper

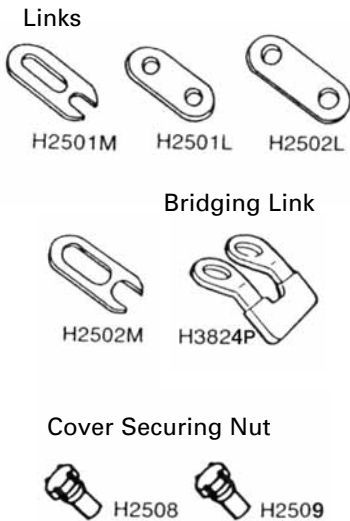


CATALOGUE NO. H3820, Nylon 6/6 120°C, Hardware: Stainless Steel

ACCESSORIES		CAT. NO.
End Plate		H3821
Partition		H3865
Cover (standard length 2m)		H3822
Marker Strip		H3823
Bridging Link		H3824P
1 metre Locking Pin		H2234A
460mm Mounting Rail		H2233
1 metre Mounting Rail		H2233A
Nylon End Clamp		H2232

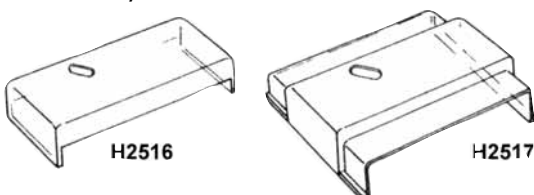
FIXED SCREW TERMINAL BLOCKS & ACCESSORIES


H2502 4 WAY (120 L X 45 W)


 H2501 6 WAY (120 L X 45 W)
 H2511 4 WAY (86 L X 45 W)
 H2512 5 WAY (104 L X 45 W)


TERMINAL BLOCK	TYPE	COMPLETE WITH	AMP RATING AT 600V AC	LINKS	CLEAR POLY. COVERS	COVER SECURING NUT
H2501N	6 way	Stainless Steel 5mm studs, nuts, spring & flat washers, H2501M slotted link	80	H2501M slotted	H2516 H2517	H2508 H2508
H2501EN	6 way	Stainless Steel 5mm studs, nuts, spring & flat washers, H2501L solid link	80	H2501L solid	H2516 H2517	H2508 H2508
H2502	4 way	Stainless Steel OBA studs, nuts, spring washers, H2502L solid link	80	H2502L solid	H2516 H2517	H2509 H2509
H2502E	4 way	Stainless Steel OBA studs, nuts, spring washers, H2502M slotted link	80	H2502M slotted	H2516 H2517	H2509 H2509
H2511N	4 way	Stainless Steel 5mm studs, nuts, spring washers, H2501L solid link	80	H2501L solid	-	-
H2512N	5 way	Stainless Steel 6mm studs, nuts, spring washers, H2501L solid link	80	H2501L solid	-	-

Clear Polycarbonate Covers

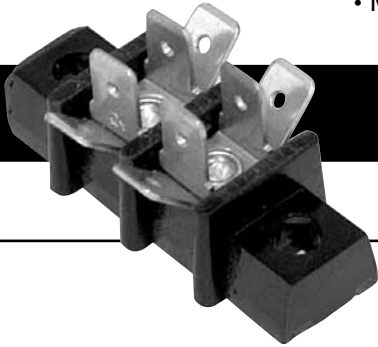

12 WAY TERMINAL STRIP

- Melamine body
- Phosphor bronze wire protector to prevent clamping screw from pinching the conductor
- Clamping contact is vibration proof
- May be cut to desired length


 H2519
 LENGTH 133mm

QUICK CONNECT TERMINAL BLOCKS

- Available in 1 to 17 stations (including mounting holes) • QC male outlets to clients specifications
- Mounting holes 4.8mm dia, hole centres are 11.1mm apart • Economical, convenient, safe and simple
 - Special blocks can be made to suit individual requirements
 - Used by all leading Domestic Appliance Manufacturers
 - Manufactured to Australian standards



CAT. NO.

RATED AT
240V AC

TB SERIES


20 amps

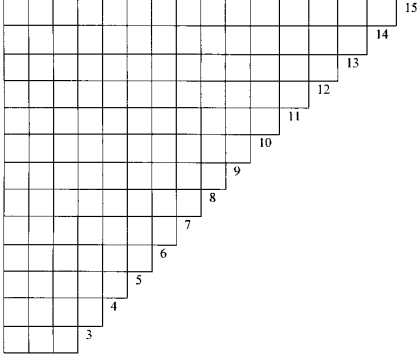
TERMINAL CONFIGURATIONS & ORDERING GUIDE

- All parts rated 20 amps screwed connections • Active (A), Neutral (N), Earth (E), engraving available
- Plating is an optional extra • All tabs suit 6.3mm receptacles • Specify terminal style required by using table shown

tyco
Electronics

CUSTOMER.....
.....
.....


"NOT TO SCALE"



ORDERING PROCEDURE

1. SELECT THE ROW SHOWING THE NUMBER OF HOLES YOU REQUIRE ON THE MOULDINGS.
2. WRITE INTO EACH SQUARE THE TAB TYPE OR FIXING HOLE REQUIRED. e.g. A, C, X etc.
3. A TYPICAL 4 WAY 6 HOLE BLOCK WOULD LOOK LIKE THIS.

X	A	•	J	•	X
		A	N •	E	

4. MARK • INDICATES POSITION OF SCREW
5. PLEASE MARK SCREW TERMINAL A, N, E OR P (active, neutral, earth or phase) IN SQUARE IF REQUIRED.
6. OTHER TAB VARIATIONS AVAILABLE ON APPLICATION.

PART NO. _____

Z	
B	
C	
D	
E	
CZ	
F	
G	
H	
U	
I	
J	
K	
N	
Bridge	
X	Fixing Hole