

# TREFOIL CABLE CLAMPS

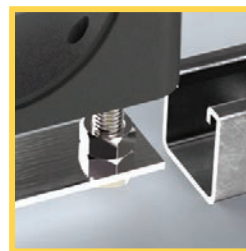
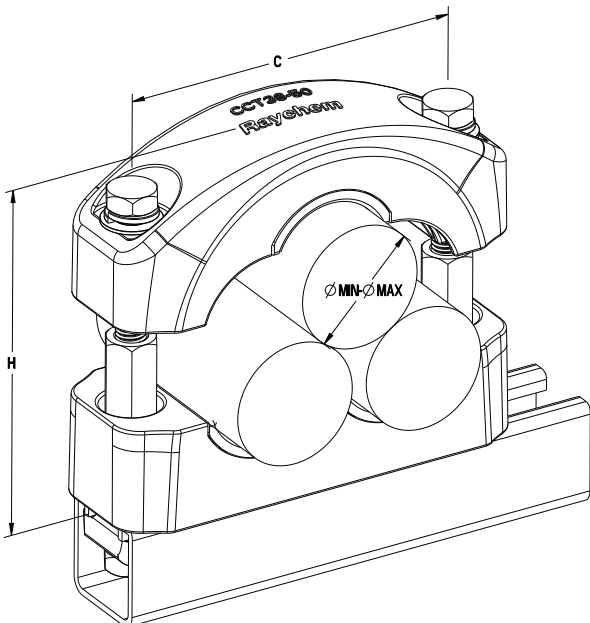
## Features:

- Range accepts cable diameters from 26-38mm, 38-50mm & 50-60mm
- Can be mounted using centre bolt or 2 bolts at extremities
- Can be stacked
- Available in slider plate and strut nut configurations.
- Superior clamping performance
- Captive elastomeric inserts for increased cable protection and containment
- Optimised for harsh environments with stainless steel hardware and self-extinguishing polymer materials
- Smooth aesthetics which improve overall strength while in operation
- Easy product identification

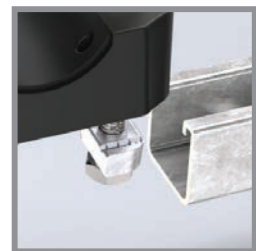


TE Part No	Min Cable Ø	Max Cable Ø	Bolt Hole Ctrs C	Installed Height H - Max	Bolt Ø	Type
CCT26-38-SN-M12	26	38	100	116	M12	Strut Nut
CCT26-38-PL-M12	26	38	100	116	M12	Slider Plate
CCT38-50-SN-M12	38	50	138	145	M12	Strut Nut
CCT38-50-PL-M12	38	50	138	145	M12	Slider Plate
CCT50-60-SN-M12	50	60	160	164	M12	Strut Nut
CCT50-60-PL-M12	50	60	160	164	M12	Slider Plate

All cable clamps are also available without hardware, please contact TE for more information



**Slider Plate Version**  
Used where access to the end of the mounting rail is achievable



**Strut Nut Version**  
Used where access to the end of the mounting rail is not possible