

SERVICE PITS & LIDS

NOTE ON ORDERING OF PITS

GVK have simplified the process of ordering pits by kitting them together with lids. When ordering please where ever possible use the **Kit Part Number**. The other part numbers are for individual parts should you require to buy them as separate items.

PIT DATA

Dimensions (mm):

Description		Diameter	Depth
PR - plastic distribution pit	External	430	630
	Internal	340	550



PITVICKS

LID DATA

Description	Diameter
SRLIDE - Elec Concrete Lid	390
SRLIDC - Comms Concrete Lid	390
SRLIDS - Blank Steel Lid	390

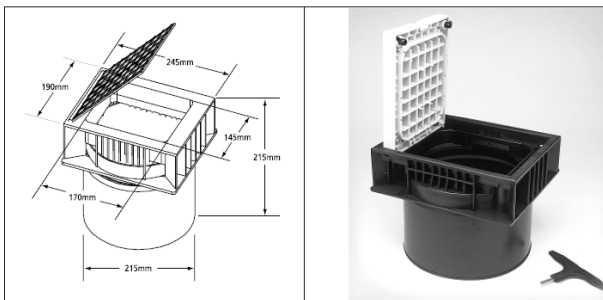
Kit Part Number

PITVICK
PITVICKC
PITVICKS



PITVICK

EARTH PITS



Part number

PIT03

Description

Earth Pit, Plastic

- Withstands over 5 tones
- Lightweight (1.20Kg)
- Lockable lid opened only with a security key
- Suitable for both paving a hot tar applica-



Part number

ERB1

Description

Earth Rod Cover, Cast Aluminium

- Hinged inspection lid.
- Cable entry hole on side.
- Ample space for conductors and clamps.
- 140mm L x 140mm W x 75mm H