

KGH250

250A

Features

- Extremely compact
- One or three-pole units
- On-load switching capability
- Corrosion proof
- Fully insulated
- Suits standard hook-stick
- Individual, hinged terminal covers for maximum safety

The KRONE KGH250 Switch

The upper housing holds the conductor, terminals and contacts.

The lower housing is hinged for easy opening and closing.

It houses the mounting for size 1-2 fuses, links or short circuiting facilities.

Switches are available in single or triple pole versions.

The triple pole switch is supplied with mounting bracket.

Cable Termination

The KGH250 is available terminals;

- Pillar type terminals for stripped copper and aluminium compacted cables ranging from 25-185mm²



Pillar Type Terminal



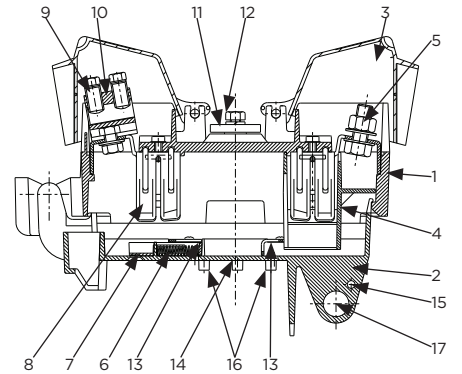
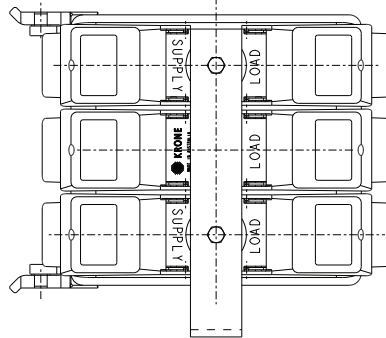
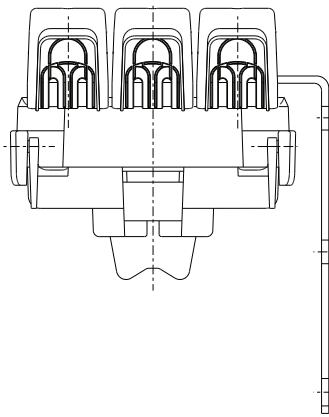
Catalogue Reference	No of Poles	Ganged Switching	Pillar 2x25-185mm ² Al & Cu cables
KGH250	3	yes	in/out

PROUDLY DISTRIBUTED BY



Web www.gvk.com.au
 Email sales@gvk.com.au
 Phone 03 9312 6633
 Fax 03 9312 6433

Cross Section KGH250



Technical Data

In accordance with tests and requirements to IEC 947-3 and AS2847-3

	KGH250
Rated operational voltage, Ue	450V
Rated insulation voltage, Ui	1000V
Rated frequency	50-60Hz
Rated impulse withstand voltage, Uimp	16kV
Rated operational current, Ie	
- with fuse links	250A
- with connecting-links	250A
Rated make-break current at 0.65pg	375A
Rated short-time withstand current Icw for one second	
- with connecting links	25kA
Rated short-circuit making capacity Icm	
- with connecting links	10kA
Rated conditional short-circuit current	
- with fuse-links	50kA
Utilisation category	AC 22 B
Infrequent operation with current	200
Infrequent operation without current	1400
Degree of protection	IP2L4
Mass (without fuse)	6.5kg

1. Upper housing
2. Hinged removable lower housing
3. Hinged terminal cover
4. Arc chute
5. Stainless steel 12mm bolted lug type terminal (option)
6. Fuse-link retaining clip
7. Yellow indicator fuse-link/ connecting-link installed
8. Nickel plated copper alloy contact
11. Switch mounting bracket
12. Switch mounting screw
13. Voltage test points
14. Neon indicator (option)
15. Rod actuating pin (optional)
16. Connecting-link storage position (option)
17. Hook stick position for opening/ closing
18. Hook stick position for removal/ replacement of cover

PROUDLY DISTRIBUTED BY



Web www.gvk.com.au
 Email sales@gvk.com.au
 Phone 03 9312 6633
 Fax 03 9312 6433