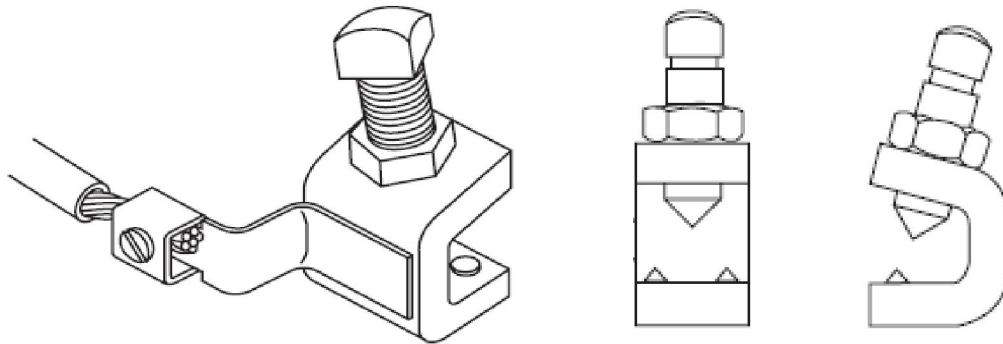
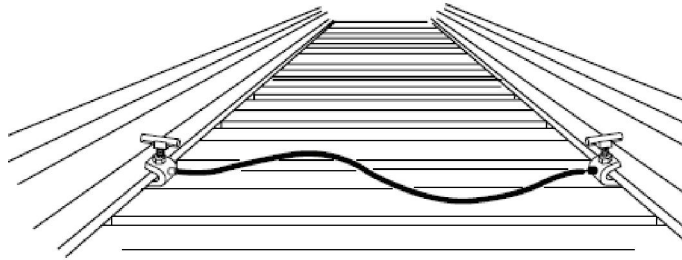


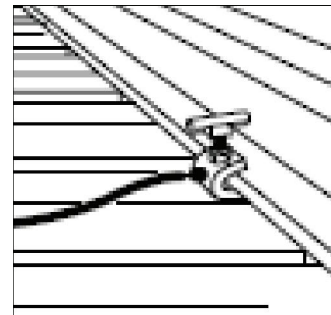
RAIL CLAMPS

TEMPORARY CONNECTORS



Bolt Type A140

Part Number	Description
A140	Bolt Type
A140WT	T-Handle Type



T-Handle Type A140WT

Makes temporary signal bonds and track circuit connections using your cable.

- Accepts cable sizes 16mm² to 50mm² diameter bond strand.
- Hardened contact points on clamps bite through rust and scale.